

AC-80 Single Point Actuator

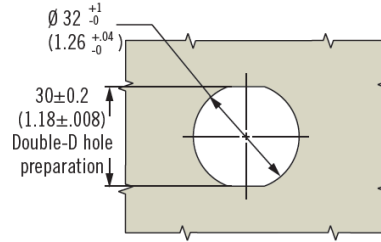
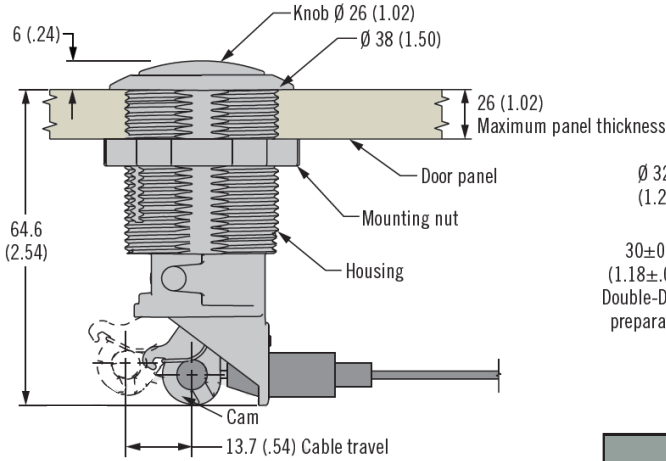
Push-button

Features

- Flush
- Mounting hardware included

Material

- Push button and housing: PC/ABS, black
- Cam: Glass-filled nylon, black
- Spring: Stainless steel, passivated



Part Number
AC-80-101-11

AC-75 Single Point Actuator

Aluminum paddle and housing

Features

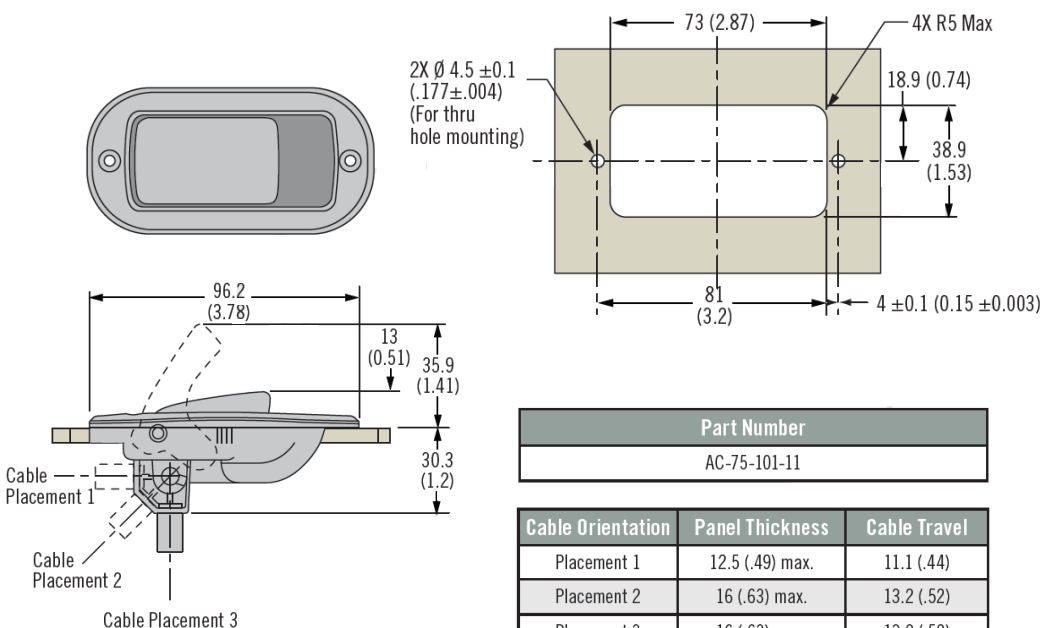
- Front mount installation
- Three cable mounting options
- Low profile
- Robust material

Material

- Paddle and housing: Aluminum, black powder coated

Notes

- AC-75 can only use snub end coupling (Type 6 or 7 cable)



Part Number
AC-75-101-11

Cable Orientation	Panel Thickness	Cable Travel
Placement 1	12.5 (.49) max.	11.1 (.44)
Placement 2	16 (.63) max.	13.2 (.52)
Placement 3	16 (.63) max.	13.2 (.52)



We are proud to be Southco's authorized distributor of over 20 years